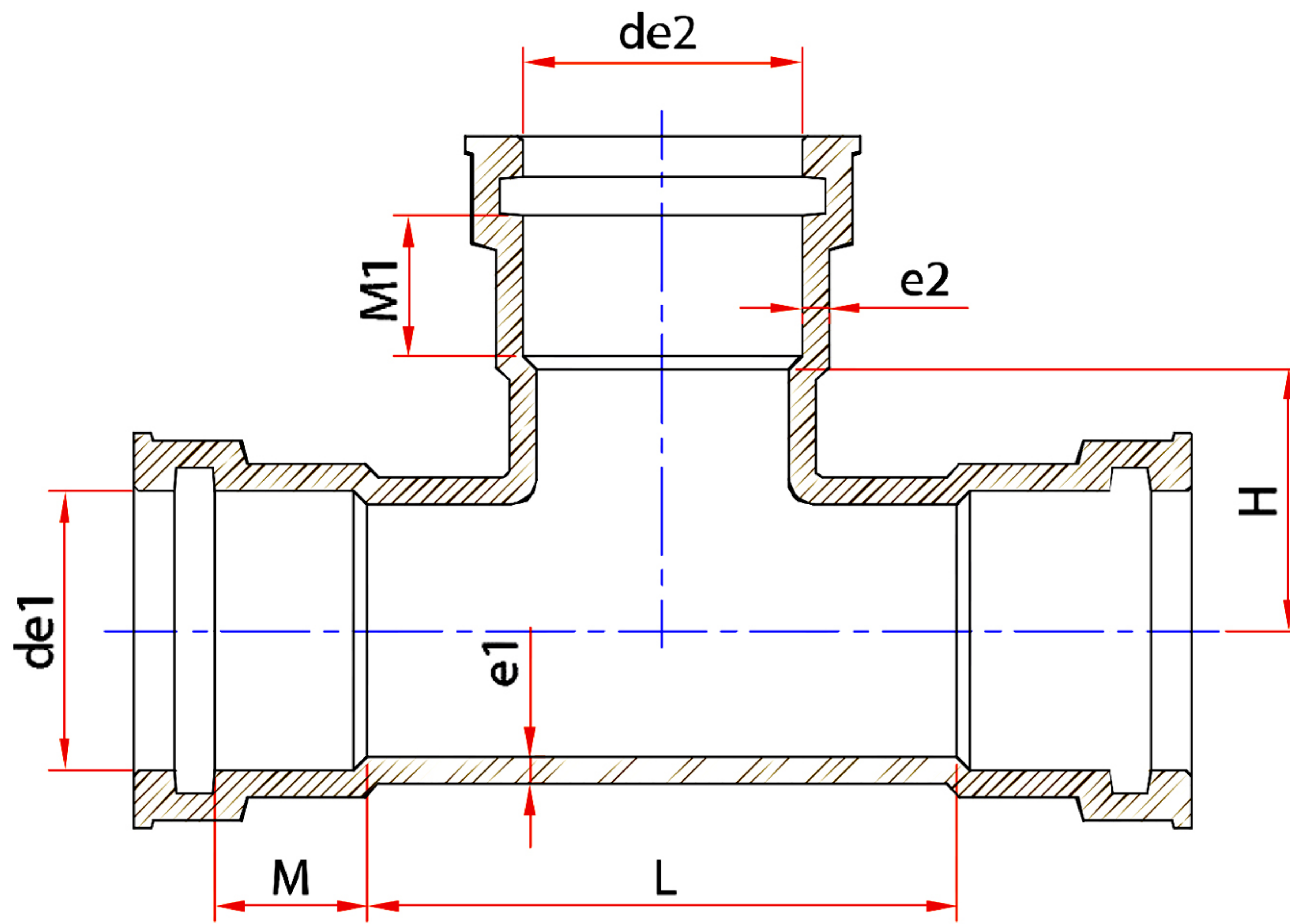


สามทางปลายปากกระห้ง 3 ด้าน



DN	BODY					DN	BRANCH				
	e1	L	de1		M (min)		e1	L	de2		M1 (min)
			(min)	(max)				(min)	(max)		
80	10	212	89.5	92	44	80	10	106	89.5	92	44
100	10.5	240	114.5	117	50	80	10.5	116	89.5	92	44
						100	10.5	120	114.5	117	50
150	11.7	310	165.7	169	61	80	11.7	141	89.5	92	44
						100	11.7	145	114.5	117	50
						150	11.7	155	165.7	169	61
200	12.8	380	216.9	220	72	100	12.8	170	114.5	117	50
						150	12.8	180	165.7	169	61
						200	12.8	190	216.9	220	72
250	14	450	268.1	271	84	100	13.5	195	114.5	117	50
						150	14	205	165.7	169	61
						200	14	215	216.9	220	72
						250	14	225	268.1	271	84
300	15.2	520	319.3	322	84	100	13.5	220	114.5	117	50
						150	15	230	165.7	169	61
						200	15.2	240	216.9	220	72
						250	15.2	250	268.1	271	84
						300	15.2	260	319.3	322	84
400	17.5	660	421.7	425	98	200	16.5	290	216.9	220	72
						250	17.5	300	268.1	271	84
						300	17.5	310	319.3	322	84
						400	17.5	330	421.7	425	98